

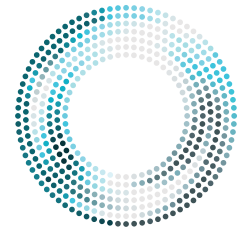
LIET CANDLE LIET



LIETCORP



LIET CANDLE LIET



LIETCORP

Mains voltage

Candle Liet introduces the virtual filament from Lietcorp which delivers 25W tungsten equivalencies in a true candle lamp package. Candle Liet delivers over 80% energy savings when compared with existing tungsten technology.

Running at low temperature with no flicker, Candle Liet has a L70 life of up to 20,000 hours assuring users an operational life of well in excess of 10 years.

Candle Liet is available in ES, BC and SES base types for use with most mains voltage lighting systems where the elegance and effect of a candle bulb is sought with the energy efficiency of an LED light source. Candle Liet is available with Lietcorp's soft white colour temperature of 2,700K; a close match to dimmed incandescent.



Key data

Lamp Replacement

Virtual Filament

Mains Voltage

Internal Driver

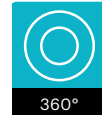
Clear Lens

Bayonet and Screw-in

Colour temperature

2,700K

Beam Angle



360°

20K
hrs

L70 LIFE

80
Typical

CRI

4.5

WATTS

55.5

LPW

25W

INCANDESCENT
EQUIVALENT

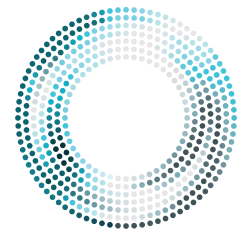
250

FIXTURE LUMENS

Applications



Technical Specifications



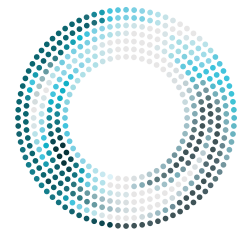
LIETCORP

Technical data	Liet Candle Liet	Specification	Liet Candle Liet
Light output designed to replace	25W incandescent	No of LEDs	5
Fixture lumens*	250	Dimmable	Yes
Lumens per watt	55.5	Approvals	CE, RoHS, EMC and WEEE
Rated life (hrs)	20,000	Listings	CE
Power consumption (full circuit watt)	4.5W	IEC certified	Yes
Operating current (mA) @ 230V AC	31mA	Warranty	Up to 3 years
		CRI	80
		Field angles	360°
		Colour temp	2,700K
		Weight	60g
		Base type	ES, SES and BC

SN	Internal LED comparison parameters	Lietcorp
1	LED make used	Nichia
2	LED chip manufacturing country of origin	Japan
3	LED luminaire manufacturing country of origin	China
4	CRI>90	80
5	LED luminaire delivered efficacy	55.5
6	Dimmable 1-10V / DALI	Fully dimmable using mains leading edge phase dimmers
7	IES LM-80 lumen maintenance report	Testing underway, report available soon
8	Rated lifespan to L70	Up to 20,000 hours**
9	IES LM-79 (photometric test report)	Yes
10	LED fixture warranty	Up to 3 years

* Fixture lumens rating is a measurement of total light output from a finished lighting fixture. This measurement can only be obtained from either a Goniophotometer or an Integrating Sphere. Fixture lumens is the most reliable, professional measurement of light output. Lietcorp has invested heavily in these measurement apparatus and has had all its data verified by the Lighting Association of Great Britain.

** Extremes in ambient temperature may be detrimental to the lifespan of the product.



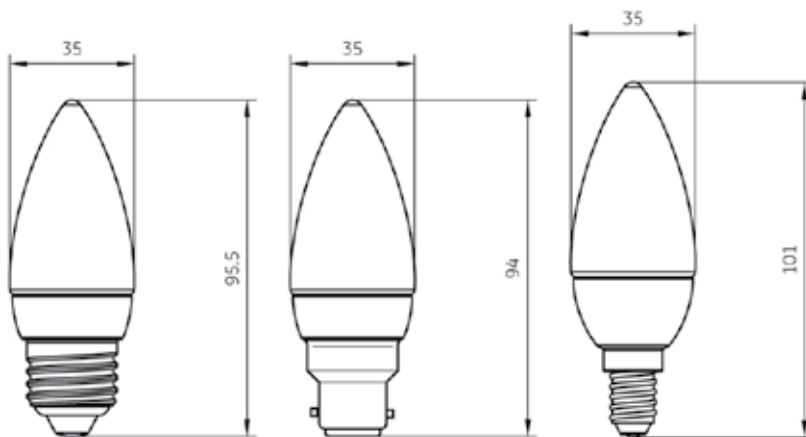
LIETCORP

Part Specifications

Description - Liets	Part Number
ES (E27) Candle Liet - Mains voltage - Dimmable	003-001840
SES (E14) Candle Liet - Mains voltage - Dimmable	003-001841
BC (B22) Candle Liet - Mains voltage - Dimmable	003-001842

Dimensions

tolerance + 1/8" (2.5mm)



Lietcorp Limited
Unit One, Jacknell Road
Dodwells Bridge Industrial Estate
Hinckley, Leicestershire
LE10 3BS United Kingdom

Phone +44 (0) 1455 637505
Facsimile +44 (0) 1455 238553
Email info@lietcorp.com
www.lietcorp.com

© 2013 Lietcorp. All Rights Reserved.
Specifications are subject to change without notice.
Trademarks are the property of Lietcorp.
Lietcorp is a division of the OceanLED Group.