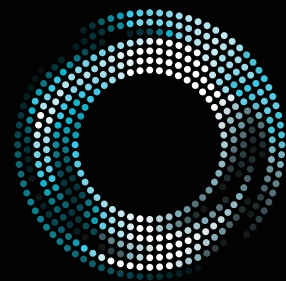


LIET MR16



LIETCORP

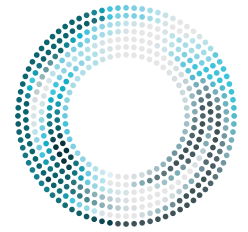


LIET MR16

7W replacement for 35W
and 50W Halogen

Liet MR16 is a direct replacement for 35W & 50W halogen lamps. A simple retro-fit solution which can be used with the existing ballast, running at only 7W, Liet MR16 is a flicker-free dimmable lamp.

Liet MR16 dimmable lamps offer significant energy savings versus traditional halogens. They have a long 25,000 hour rated life and are ideal for replacing incandescent or halogen lamps in display and general lighting for commercial applications.



LIETCORP

Key data

MR16 Lamp
Replacement

Retro Fit

Extra Low Voltage

Dimmable

Colour temperature

2,700K

3,000K

4,000K

Beam Angle



35°

25K
hrs

L70 LIFE

80
Typical

CRI

7

WATTS

up to 73

LPW

35/50W

HALOGEN
EQUIVALENT

12V AC

ELV AC DIM

0-100%

DIMMING

440-510

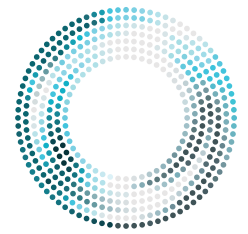
FIXTURE LUMENS



Typical Liet MR16 Applications



Technical Specifications



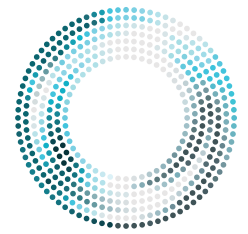
LIETCORP

Technical data	Liet MR16	Specification	Liet MR16
Light output designed to replace	35/50W halogen	No of LEDs	3
Fixture lumens*	440-510	Dimmable	Yes
Lumens per watt	Up to 73	Approvals	CE, RoHS, EMC and WEEE
Rated life (hrs)	25,000	Listings	CE
Power consumption (full circuit watt)	7W	IEC certified	Yes
Operating current (mA) @ 12V AC	700mA	Warranty	Up to 3 years
		CRI	80
		Field angles	35°
		Colour temp	2,700K, 3,000K, 4,000K
		Weight	58g
		Base type	MR16

SN	Internal LED comparison parameters	Lietcorp
1	LED make used	Cree, Nichia
2	LED chip manufacturing country of origin	USA, Japan
3	LED luminaire manufacturing country of origin	China
4	CRI>90	80 typical, 90 on request
5	LED luminaire delivered efficacy	Up to 73 LPW – temperature stable fixture lumen output
6	Dimmable 1-10V / DALI	Fully dimmable using both leading and trailing edge mains phase dimmers
7	IES LM-80 lumen maintenance report	Yes
8	Rated lifespan to L70	Up to 25,000 hours**
9	IES LM-79 (photometric test report)	Yes
10	LED fixture warranty	Up to 3 years

* Fixture lumens rating is a measurement of total light output from a finished lighting fixture. This measurement can only be obtained from either a Goniophotometer or an Integrating Sphere. Fixture lumens is the most reliable, professional measurement of light output. Lietcorp has invested heavily in these measurement apparatus and has had all its data verified by the Lighting Association of Great Britain.

** Extremes in ambient temperature may be detrimental to the lifespan of the product.



LIETCORP

Part Specifications

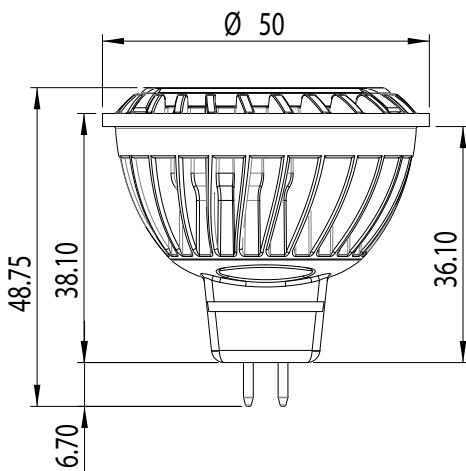
Description - Liets	Part Number
Liet MR16 2,700K 35°	003-001835
Liet MR16 3,000K 35°	003-001837
Liet MR16 4,000K 35°	003-001839

Description - fittings	Part Number
Liet MR16 Fixed (open back) white	003-001546
Liet MR16 Fixed (open back) silver	003-001547
Liet MR16 gimbal (open back) white	003-001548
Liet MR16 gimbal (open back) silver	003-001549

Description - dimming unit	Part Number
Load adaptor for existing dimming systems	003-001216

Dimensions

tolerance + 1/8" (2.5mm)



Lietcorp Limited
Unit One, Jacknell Road
Dodwells Bridge Industrial Estate
Hinckley, Leicestershire
LE10 3BS United Kingdom

Phone +44 (0) 1455 637505
Facsimile +44 (0) 1455 238553
Email info@lietcorp.com
www.lietcorp.com



© 2013 Lietcorp. All Rights Reserved.
Specifications are subject to change without notice.
Trademarks are the property of Lietcorp.
Lietcorp is a division of the OceanLED Group.