

# LIET GU10



LIETCORP

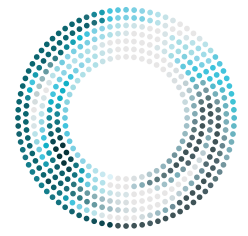


# LIET GU10

## 50W halogen replacement

**Liet GU10 offers the energy saving and performance benefits of LED and runs at only 6W. It has a flicker-free dimming curve and replaces 50W halogens.**

Liet GU10 has a long 25,000 hour rated life and is ideal for replacing incandescent or halogen lamps in display and general lighting for both commercial and residential environments.



LIETCORP

### Key data

Lamp Replacement

Retro Fit

Mains

Dimmable

### Colour temperature

2,700K

3,000K

4,000K

### Beam Angle



35°

**25K**  
hrs

L70 LIFE

**80**  
Typical

CRI

**6**

WATTS

up to **60**

LPW

**50W**

HALOGEN EQUIVALENT

**320-360**

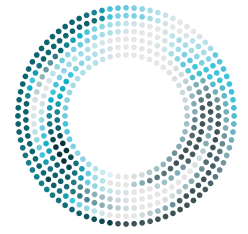
FIXTURE LUMENS



## Applications



# Technical Specifications



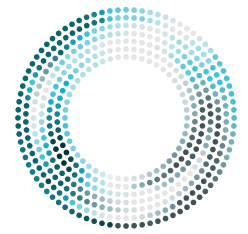
LIETCORP

Technical data	Liet GU10	Specification	Liet GU10
Light output designed to replace	50W incandescent	No of LEDs	3
Fixture lumens*	320-360	Dimmable	Yes
Lumens per watt	up to 60	Approvals	CE, RoHS, EMC and WEEE
Rated life (hrs)	25,000	Listings	CE
Power consumption (full circuit watt)	6W	IEC certified	Yes
Operating current (mA) @ 230V AC	36mA	Warranty	Up to 3 years
		CRI	80
		Field angles	35°
		Colour temp	2,700K, 3,000K, 4,000K
		Weight	57g
		Base type	GU10

SN	Internal LED comparison parameters	Lietcorp
1	LED make used	Cree, Nichia
2	LED chip manufacturing country of origin	USA, Japan
3	LED luminaire manufacturing country of origin	Hungary
4	CRI>90	84 typical, 90 on request
5	LED luminaire delivered efficacy	Up to 60 LPW – temperature stable fixture lumen output
6	Dimmable 1-10V / DALI	Fully dimmable using mains leading edge phase dimmers
7	IES LM-80 lumen maintenance report	Yes
8	Rated lifespan to L70	Up to 25,000 hours**
9	IES LM-79 (photometric test report)	Yes
10	LED fixture warranty	Up to 3 years

\* Fixture lumens rating is a measurement of total light output from a finished lighting fixture. This measurement can only be obtained from either a Goniophotometer or an Integrating Sphere. Fixture lumens is the most reliable, professional measurement of light output. Lietcorp has invested heavily in these measurement apparatus and has had all its data verified by the Lighting Association of Great Britain.

\*\* Extremes in ambient temperature may be detrimental to the lifespan of the product.



LIETCORP

## Part Specifications

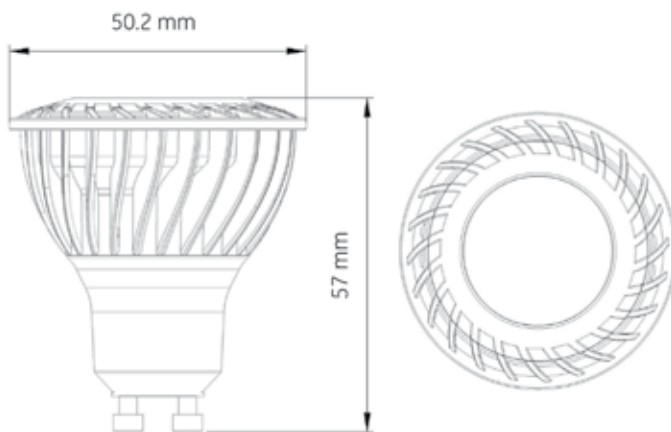
Description - Liets	Part Number
Liet GU10 2,700K 35°	003-001829
Liet GU10 3,000K 35°	003-001831
Liet GU10 4,000K 35°	003-001833

Description - fittings	Part Number
Liet GU10 Fixed (open back) white	003-001546
Liet GU10 Fixed (open back) silver	003-001547
Liet GU10 gimbal (open back) white	003-001548
Liet GU10 gimbal (open back) silver	003-001549

Description - dimming unit	Part Number
Load adaptor for existing dimming systems	003-001216

### Dimensions

tolerance + 1/8" (2.5mm)



**Lietcorp Limited**  
Unit One, Jacknell Road  
Dodwells Bridge Industrial Estate  
Hinckley, Leicestershire  
LE10 3BS United Kingdom

Phone +44 (0) 1455 637505  
Facsimile +44 (0) 1455 238553  
Email [info@lietcorp.com](mailto:info@lietcorp.com)  
[www.lietcorp.com](http://www.lietcorp.com)



© 2014 Lietcorp. All Rights Reserved.  
Specifications are subject to change without notice.  
Trademarks are the property of Lietcorp.  
Lietcorp is a trading name of  
Future Energy Lighting Technologies Ltd.