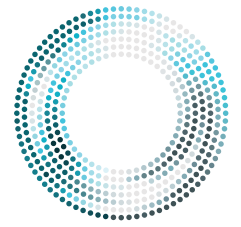


# **LIET** **MR16 ULTRA**



# LIET MR16 ULTRA



LIETCORP

## Commercial downlighting

**One of the highest performing MR16 LED light engines available on the market. Liet MR16 Ultra is a true 50W halogen replacement. Fully dimmable on leading edge TRIAC dimming systems using low voltage magnetic transformers.**

With an impressive CRI of 84 and an LPW of 67 this class beating LED replacement is suitable for all applications.

Running at low temperatures, Liet MR16 Ultra delivers an L70 life of up to 90,000 assuring users of well in excess of 10 years operational life. This, combined with its superior quality, make it an ideal option for those wanting an energy efficient and ecologically friendly replacement for 50W halogen bulbs.

Installed via a hardwired system, this replacement is a theft-proof option for high traffic areas.



### Key data

MR16 Lamp Replacement

IP44

Retro Fit

Extra Low Voltage

Fully Dimmable

Single Point Source

Easy Fit

Internal Driver

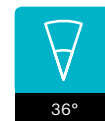
### Colour Temperature

2,600K

3,000K

4,000K

### Beam Angle



36°

up to  
**90K** hrs  
L70 LIFE

**84**  
Typical  
CRI

**VO**  
RATED

**7.5**  
WATTS

**67**  
LPW

**50W**  
HALOGEN  
EQUIVALENT

**12V AC**  
ELV AC DIM

**0-100%**  
DIMMING

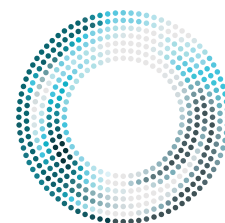
**500**  
FIXTURE LUMENS

### Applications

Typical application illumination of high profile and signature spaces requiring statement, light quality and comfort.



# LIET MR16 ULTRA



LIETCORP

## Technical Specifications

Technical data	Liet MR16 Ultra	Specification
<b>Light output designed to replace</b>	50W halogen	<b>No of LEDs</b> Single LED point source
<b>Fixture lumens*</b>	500	<b>Dimmable</b> TRIAC phase dimmable**
<b>Lumens per watt</b>	67	<b>Approvals</b> CE, RoHS, EMC and WEEE
<b>Rated life (hrs)</b>	50,000 – 90,000	<b>Listings</b> tba
<b>Power consumption (full circuit watt)</b>	7.5	<b>IEC certified</b> tba
<b>Operating current @ 12V AC</b>	625mA	<b>Warranty</b> 3 year***
		<b>CRI</b> 84 typical
		<b>Field angles</b> 36°
		<b>Colour temp</b> 2,600K; 3,000K; 4,000K
		<b>Weight</b> 140g
		<b>Base</b> Hardwire

Internal LED comparison parameters	Lietcorp
1 LED make used	Cree
2 LED chip manufacturing country of origin	USA
3 LED luminaire manufacturing country of origin	United Kingdom
4 CRI>84	84 typical
5 CCT tolerance of LED: 2,600K < 100K; 3,000K < 50K; 4,000K < 90K	Single Cree sub bin (1/16 of ANSI C78.377A Bin on CIE 1931 2 Deg space diagram, 2 step MacAdam Ellipses)
8 LED luminaire delivered efficacy	Up to 67 LPW – temperature stable fixture lumen output
9 Dimmable	Yes (Triac phase dimming available)
10 IES LM-80 lumen maintenance report	Testing underway, report available soon
11 Rated lifespan to L70	Up to 90,000 hours****
12 IES LM-79 (photometric test report)	Yes
13 LED fixture warranty	Up to 5 years
14 Energy Star compliance	Not tested but complies with life & energy requirements

\* Fixture lumens rating is a measurement of total light output from a finished lighting fixture. This measurement can only be obtained from either a Goniophotometer or an Integrating Sphere. Fixture lumens is the most reliable, professional measurement of light output. Lietcorp has invested heavily in these measurement apparatus and has had all its data verified by the Lighting Association of Great Britain.

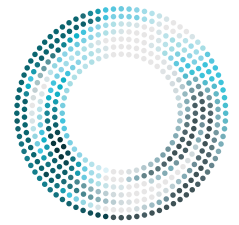
\*\* Fully dimmable on leading edge TRIAC dimming systems using low voltage magnetic transformers.

\*\*\* Extended warranty available on specific projects.

\*\*\*\* Extremes in ambient temperature may be detrimental to the lifespan of the product.

All electrical and photometric measurements have a tolerance of 10%.  
Lietcorp reserves the right to change specifications at any time.

# LIET MR16 ULTRA



LIETCORP

## Part Specifications

Description - Liets	Part Number
Liet MR16 Ultra LED Soft white	003-001339
Liet MR16 Ultra LED Warm white	003-001347
Liet MR16 Ultra LED Bright white	003-001472

Description - fittings	Part Number
Liet MR16 Ultra Fixed (open back) white	003-001546
Liet MR16 Ultra Fixed (open back) silver	003-001547
Liet MR16 Ultra Gimbal (open back) white	003-001548
Liet MR16 Ultra Gimbal (open back) silver	003-001549

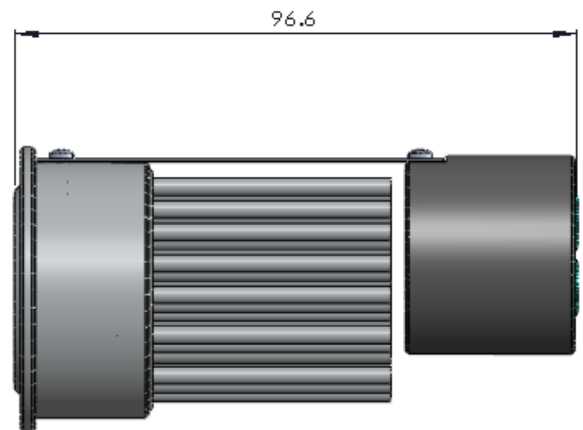
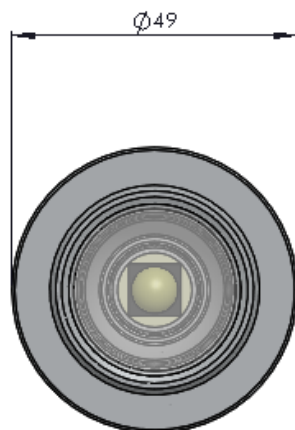
Description - power supplies and transformers	Part Number
Magnetic transformer 50VA - 4 Liet's max	003-000311
Magnetic transformer U139 14VA - 1 Liet's max	003-001325
Magnetic transformer U139 24VA - 2 Liet's max	003-001326

\* Please note the quantity of Liet's per transformer/PSU are absolute maximum ratings based on electronic fundamentals. When considering transformer/PSU selection please take into account the loading, voltage drop for the length of circuit and the correct selection of cable cross sectional area.

Description - dimming unit	Part Number
Load adaptor for use with existing dimming systems	003-001216

## Dimensions

tolerance + 1/8" (2.5mm)



Lietcorp Limited  
Unit One, Jacknell Road  
Dodwells Bridge Industrial Estate  
Hinckley, Leicestershire  
LE10 3BS United Kingdom

Phone +44 (0) 1455 637505  
Facsimile +44 (0) 1455 238553  
Email [info@lietcorp.com](mailto:info@lietcorp.com)

[www.lietcorp.com](http://www.lietcorp.com)



© 2014 Lietcorp. All Rights Reserved.  
Specifications are subject to change without notice.  
Trademarks are the property of Lietcorp.  
Lietcorp is a trading name of  
Future Energy Lighting Technologies Ltd.