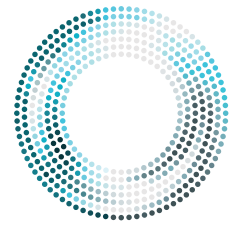


LIET D-SERIES



LIET D-SERIES



LIETCORP

Commercial and retail downlighting

Liet D-Series delivers true light replacement of the latest CDM-T light sources with the high definition colour rendering associated with Lietcorp's strict binning regime. Liet D-Series is designed for a wide range of retail and commercial applications that demand high light output combined with excellent colour rendering.

Liet D-series delivers approximately 65% energy savings over standard CDM-T lamps.

Running at low temperatures and with no flicker, Liet D-Series also delivers an L70 life of up to 90,000 hours assuring users of well in excess of 10 years operational life.

Liet D-Series is designed to be fitted into most existing luminaires so fixture investment is secure. All D-Series lamps can be supplied with a fitting kit for ease of installation. The D-Series can also be used as a complete luminaire with its own fittings designed around LED technology, for maximum thermal efficiency.

Unlike CDM-T technology that is vulnerable to failure through misuse, Liet D-Series is fully controllable/dimmable and has no user restrictions in terms of powering up.

Liet D-Series utilises Lietcorp's latest driver technology to deliver a class leading power factor.



Key data

Lamp/Luminaire Replacement

AR111

Fitting Kit

External Driver (supplied)

Colour Temperature

2,700K

3,000K

4,000K

Beam Angle

 18°	 D70 only 28°	 36°
up to 90K hrs L70 LIFE	82 Typical CRI	VO RATED
12-40 WATTS	up to 120 LPW	0-100% DIMMING
up to 4,500 FIXTURE LUMENS		

Bezel Fittings



Liet D Flush Bezel



Liet D / AR111 wall wash



Liet D Retro fit - pixel plus



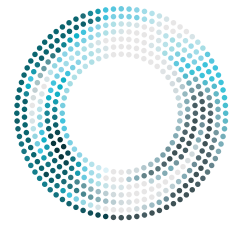
Liet D Retro fit - pixel plus

Applications

Typical applications include all retail and shopping centre/mall locations traditionally lit with CDM-T high bright white light.



LIET D-SERIES



LIETCORP

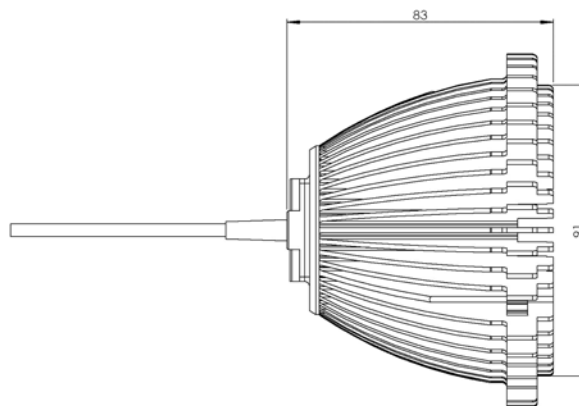
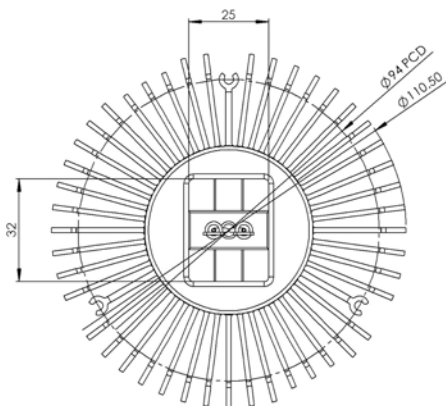
Technical Specifications

Technical data	Liet D20 350mA	Liet D35 500mA	Liet D50 700mA	Liet D70 1000mA	Specification
Light output designed to replace	20W CDM-T	35W CDM-T	50W CDM-T	70W CDM-T	No of LEDs 12
Fixture lumens (@ 4,000K)*	1450	1980	2700	4500	Dimmable 1-10V, DALI, TRIAC phase dimming
Lumens per watt	120	110	96	112	Approvals CE, RoHS, EMC, WEEE
Rated life (hrs)	90,000	90,000	80,000	80,000	Listings CE
Power consumption (full circuit watt)	12	18	28	40	IEC certified Yes
Operating current (mA) @ 110V & 240V AC	110V: 110mA; 240V: 50mA	110V: 168mA; 240V: 75mA	110V: 260mA; 240V: 119mA	110V: 360mA; 240V: 170mA	Warranty 5 year**
					CRI 82 typical
					Beam angles 18°; 28° (D70 only); 36°
					Colour temp 2,700K; 3,000K; 4,000K
					Weight 60 ± 5g
					Base type AR111 with flying lead

Internal LED comparison parameters	Lietcorp
1 LED make used	Cree
2 LED chip manufacturing country of origin	USA
3 LED luminaire manufacturing country of origin	United Kingdom
4 CRI>82	82 typical
5 CCT tolerance of LED: 2,700 & 3,000K < 50K, 4,000K < 90K	Single Cree sub bin (1/16 of ANSI C78.377A Bin on CIE 1931 2 Deg space diagram, 2 step MacAdam Ellipses)
6 LED luminaire delivered efficacy	Up to 120 LPW – temperature stable fixture lumen output
7 Dimmable 1-10V / DALI / TRIAC	Yes, (1-10V, DALI and TRIAC phase dimming available)
8 IES LM-80 lumen maintenance report	Testing underway, report available soon
9 Rated lifespan to L70	Up to 90,000 hours***
10 IES LM-79 (photometric test report)	Yes
11 LED fixture warranty	5 years**
12 Energy Star compliance	Not tested but complies with life & energy requirements

Dimensions

Tolerance + 1/8" (2.5mm). Flying lead length 300mm.

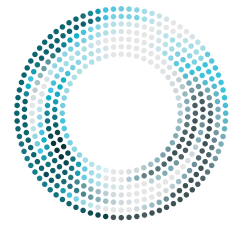


* Fixture lumens rating is a measurement of total light output from a finished lighting fixture. This measurement can only be obtained from either a Goniophotometer or an Integrating Sphere. Fixture lumens is the most reliable, professional measurement of light output. Lietcorp has invested heavily in these measurement apparatus and has had all its data verified by the Lighting Association of Great Britain.

** Extended warranty available on specific projects.

*** Extremes in ambient temperature may be detrimental to the lifespan of the product.

All electrical and photometric measurements have a tolerance of 10%. Lietcorp reserves the right to change specifications at any time.



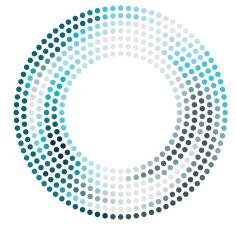
Part Specifications

Description - Liets	Part Number
Liet D Soft white 2,700K 18°	003-001797
Liet D Warm white 3,000K 18°	003-001777
Liet D Bright white 4,000K 18°	003-001779
Liet D Soft white 2,700K 36°	003-001798
Liet D Warm white 3,000K 36°	003-001778
Liet D Bright white 4,000K 36°	003-001780
Liet D70 Soft white 2,600K 28°	003-001813
Liet D70 Warm white 3,000K 28°	003-001408

Description - Drivers	Part Number
Lietcorp 240V (UK rated) driver (IP67 rated) 350mA (for D20)	003-001687
Lietcorp 240V (UK rated) driver (IP67 rated) 500mA (for D35)	003-001688
Lietcorp 240V (UK rated) driver (IP67 rated) 700mA (for D50)	003-001689
Lietcorp 240V (UK rated) driver (IP67 rated) 1000mA (for D70)	003-001690

Drivers for use with phase TRIAC or DALI dimming systems	Available on request
---	----------------------

Description - Emergency	Part Number
LIET D20 emergency back up module	003-001793
LIET D35 emergency back up module	003-001794
LIET D50 emergency back up module	003-001795
LIET D70 emergency back up module	003-001796



Part Specifications

Description - fittings and bezels	Part Number
Liet D Retro fitting adaptor – pixel plus	003-001495
Liet D Retro fitting adaptor – atom	003-001462
Liet D Retro fitting adaptor – midi atom	003-001463
Liet D Retro fitting adaptor – Erco	003-001698
Liet D Flush bezel (OD-215mm, APP-185mm)	003-001464
Liet D Flush bezel (OD-215mm, APP-156mm)	003-001465
Liet D Flush bezel (OD-275mm, APP-230mm)	003-001466
Liet D Drop down flush bezel (OD-275mm, APP-230mm)	003-001473
Liet D / AR111 Flush bezel silver open frame	003-001191
Liet D / AR111 Flush bezel white open frame	003-001569
Liet D Silver single gimbal (200mm deep back box)	003-001485
Liet D Silver double gimbal (200mm deep back box)	003-001537
Liet D Silver triple gimbal (200mm deep back box)	003-001538
Liet D White single gimbal (200mm deep back box)	003-001539
Liet D White double gimbal (200mm deep back box)	003-001540
Liet D White triple gimbal (200mm deep back box)	003-001541
Liet D / AR111 White quad	003-001188
Liet D / AR111 Silver quad	003-001189
Liet D / AR111 White deep gimbal	003-001542
Liet D / AR111 Silver deep gimbal	003-001543
Liet D / AR111 White wall wash	003-001544
Liet D / AR111 Silver wall wash	003-001545