

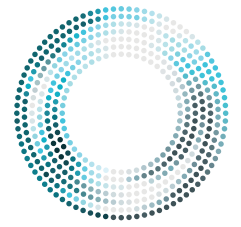
LIET **HB-SERIES**



LIETCORP



LIET HB-SERIES



LIETCORP

Interior/exterior downlighting

Liet HB-Series is a true Metal Halide & SON replacement high bay. This high power, low energy Liet Engine is designed to deliver class leading lighting performance that offers genuine replacement options for existing discharge lamp technology.

With an impressive CRI of typically 82 and two colour temperatures, this class beating LED replacement is suitable for all applications. Liet HB-Series is available in two beam angles, one optimised for medium area flood and one optimised for warehousing or aisle applications.

With the use of the reflector hood accessory a third beam angle can be achieved providing a 50/35 degree beam angle, which is suitable for extreme mounting heights.

Liet HB-Series is fully dimmable through a 1-10V analogue dimming system.



Key data

Luminaire
Replacement

IP66

Plug & Play System

Fully Dimmable

Fully Sealed Unit

Colour Temperature

4,000K

6,500K

Beam Angle



20X60°



50X35°



100° BATWING

up to
90K hrs
L70 LIFE

82
Typical
CRI

110-245
WATTS

up to **100**
LPW

VO
RATED

up to
23,000
FIXTURE LUMENS

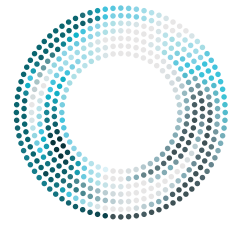
replaces
400W+
METAL HALIDE/SON

Applications



Typical industrial high bay applications.





Technical Specifications

Technical data	Liet HB	Liet HB XL	Liet HB Ultra
Light output designed to replace	250W metal halide/SON	400W metal halide/SON	400W + metal halide/SON
Fixture lumens*	11,000	17,000	23000
Lumens per watt	100	95	94
Rated life (hrs)	80-90,000	60-70,000	60-70,000
Power consumption (full circuit watt)	110W	180W	245W
Operating current (mA) @ 240V AC	460mA	750mA	1.15A

Specification	
No of LEDs	HB, XL & Ultra 30 LED Cluster
Dimmable	Fully dimmable 1-10V analogue and DALI**
Approvals	CE, RoHS, EMC and WEEE
Listings	CE
IEC certified	Yes
Warranty	5 year***
CRI	82 typical
Beam angles	20 X 60° elliptical beam; 50X35° with hood accessory; 100° bat wing
Colour temp	4,000K; 6,500K
Weight	HB 8.7Kg; HB XL 9Kg; HB Ultra 10Kg w/o attachments

Internal LED comparison parameters	Lietcorp
1 LED make used	Cree
2 LED chip manufacturing country of origin	USA
3 LED luminaire manufacturing country of origin	United Kingdom
4 CRI>82	82 typical
5 CCT tolerance of LED: 4,000K < 90K; 6,500 < 100K	Single Cree sub bin (1/16 of ANSI C78.377A Bin on CIE 1931 2 Deg space diagram, 2 step MacAdam Ellipses)
6 LED luminaire delivered efficacy	Up to 100 LPW – temperature stable fixture lumen output
7 Dimmable 1-10V / DALI	Yes, 1-10V analogue dimming and DALI
8 IES LM-80 lumen maintenance report	Testing underway, report available soon
9 Rated lifespan to L70	Up to 90,000 hours****
10 IES LM-79 (photometric test report)	Yes
11 LED fixture warranty	5 years**
12 Energy Star compliance	Not tested but complies with life & energy requirements

* Fixture lumens rating is a measurement of total light output from a finished lighting fixture. This measurement can only be obtained from either a Goniophotometer or an Integrating Sphere. Fixture lumens is the most reliable, professional measurement of light output. Lietcorp has invested heavily in these measurement apparatus and has had all its data verified by the Lighting Association of Great Britain.

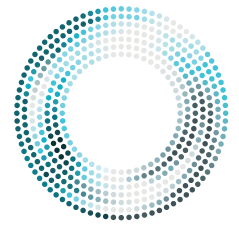
** Various dimming options available.

*** Extended warranty available on specific projects.

**** Extremes in ambient temperature may be detrimental to the lifespan of the product.

All electrical and photometric measurements have a tolerance of 10%.

Lietcorp reserves the right to change specifications at any time.



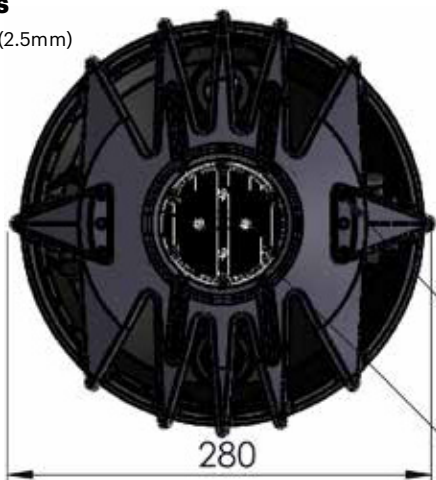
Part Specifications

Description - Liets, Accessories and Controls			Part Number Graphite body / White body
Liet HB Bright white aisle optic	4,000K	20°/60°	003-001629 / 003-001782
Liet HB Cool white aisle optic	6,500K	20°/60°	003-001630 / 003-001783
Liet HB Bright white medium flood optic	4,000K	110°	003-001631 / 003-001785
Liet HB Cool white medium flood optic	6,500K	110°	003-001632 / 003-001786
Liet HB XL Bright white aisle optic	4,000K	20°/60°	003-001633 / 003-001788
Liet HB XL Cool white aisle optic	6,500K	20°/60°	003-001634 / 003-001789
Liet HB XL Bright white medium flood optic	4,000K	110°	003-001635 / 003-001791
Liet HB XL Cool white medium flood optic	6,500K	110°	003-001636 / 003-001792
Liet HB Ultra Bright white 90 - 100 optic	4,000K	90-100°	003-001808 / 003-001811
Liet HB Ultra Bright white 90 - 100 optic	6,500K	90-100°	003-001809 / 003-001812
Reflector Hood accessory	6,500K	50/35°	003-001638

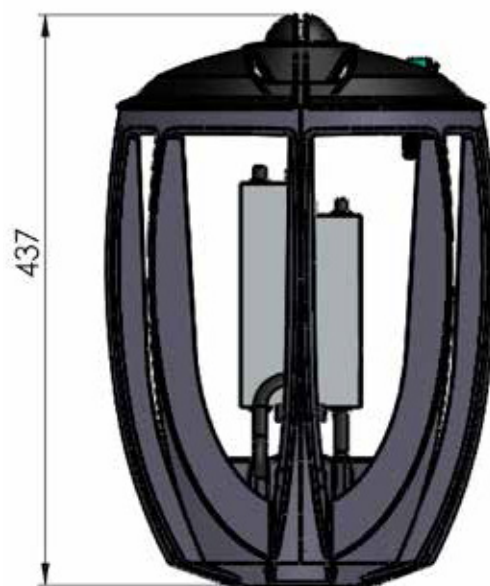
Accessories	Part Number
Liet HB 3 metre suspension kit	003-001628
Liet HB ballast controller for switching and 1-10v dimming	003-001799
Liet HB PIR/absence and daylight sensing detector unit	003-001800
Liet HB surface mount back box for PIR sensor	003-001801
Liet HB switch input unit for absence and manual control	003-001802
Liet HB wireless commissioning charge	003-001803

Dimensions

tolerance + 1/8" (2.5mm)



LED Light engine & collimator optic



Hanging eyes